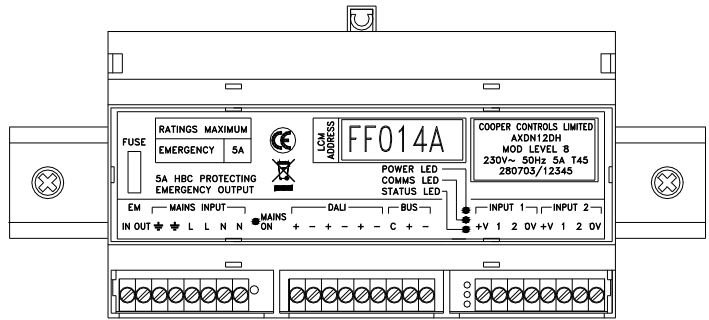
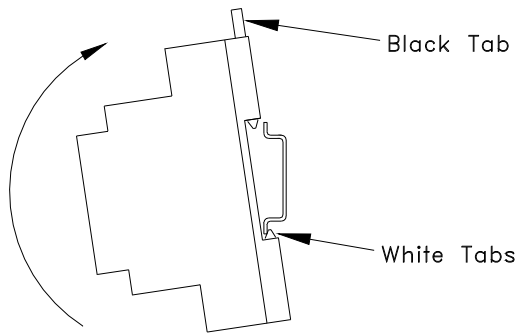
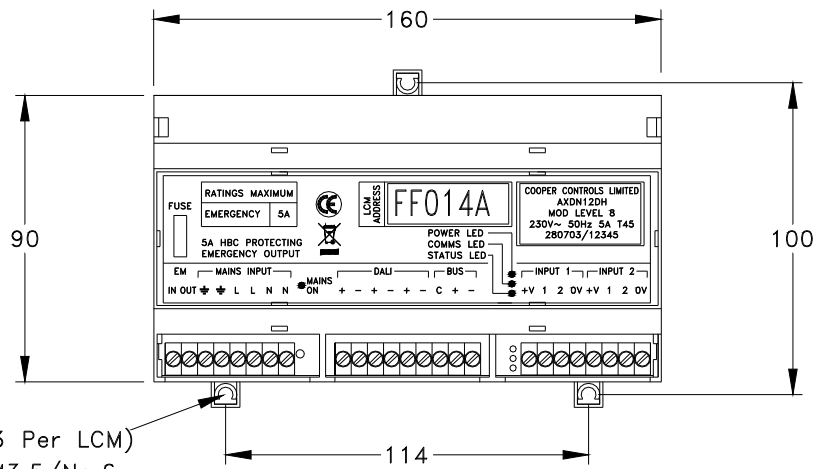


Mechanical Fixing



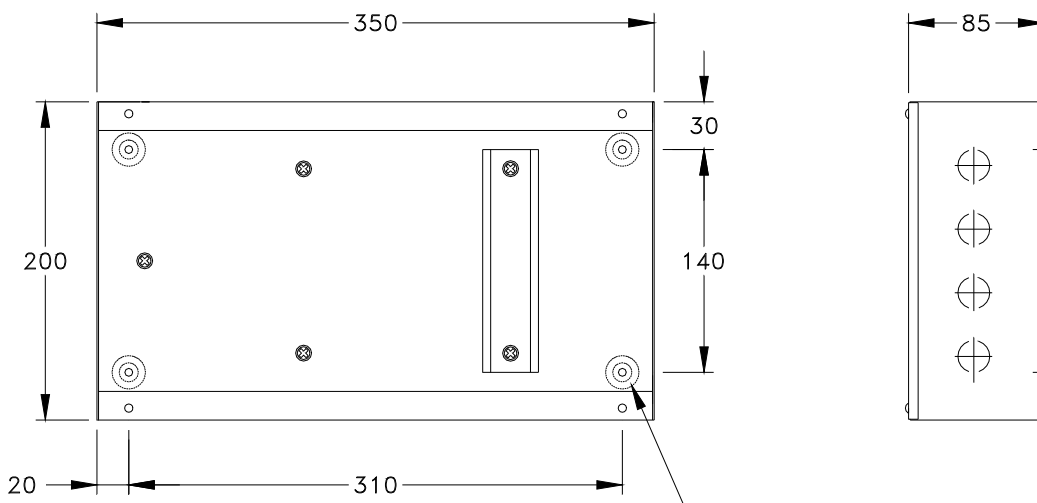
Din Rail Fixing



Fixing Size (3 Per LCM)  
Maximum M3.5/No.6

Panel Mounting

Adaptable Box



Fixing Size (4 Per Box)  
Maximum M4/No.10

Wiring

