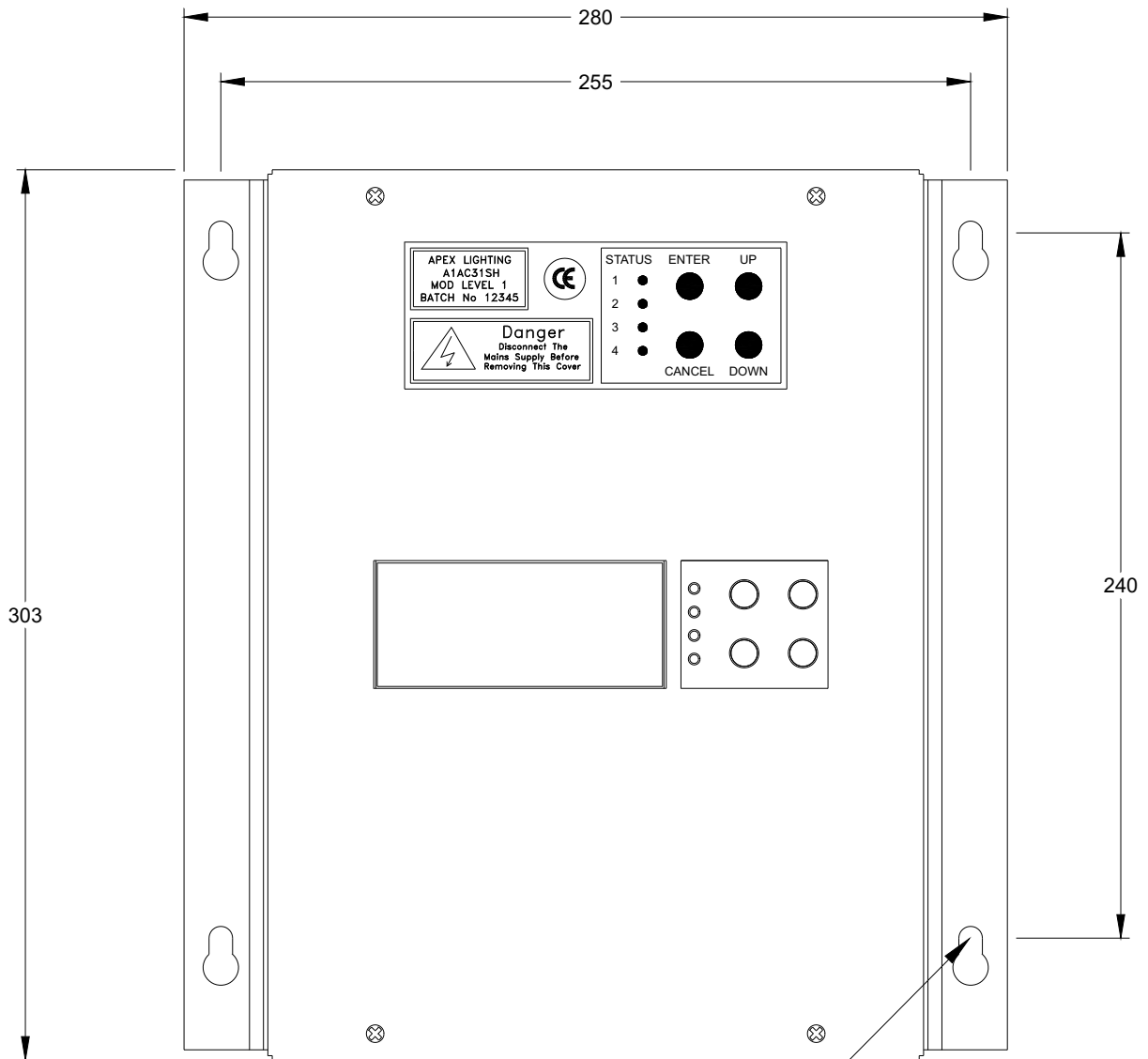
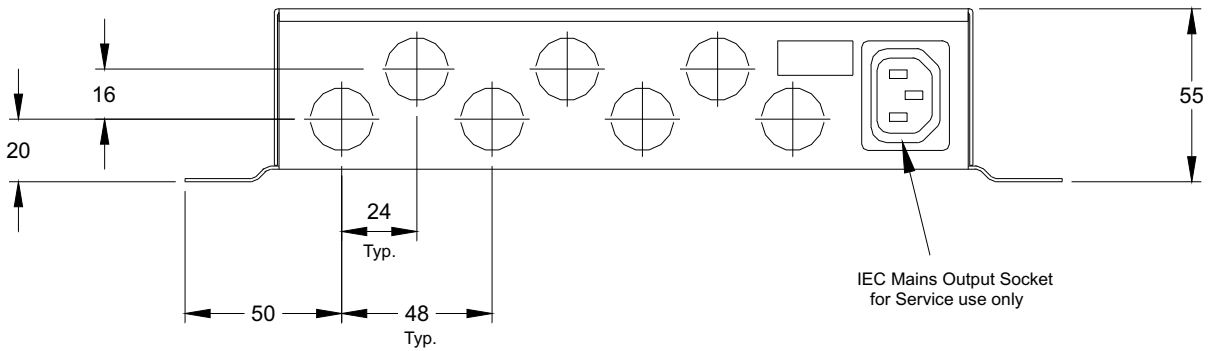


Mechanical Fixing

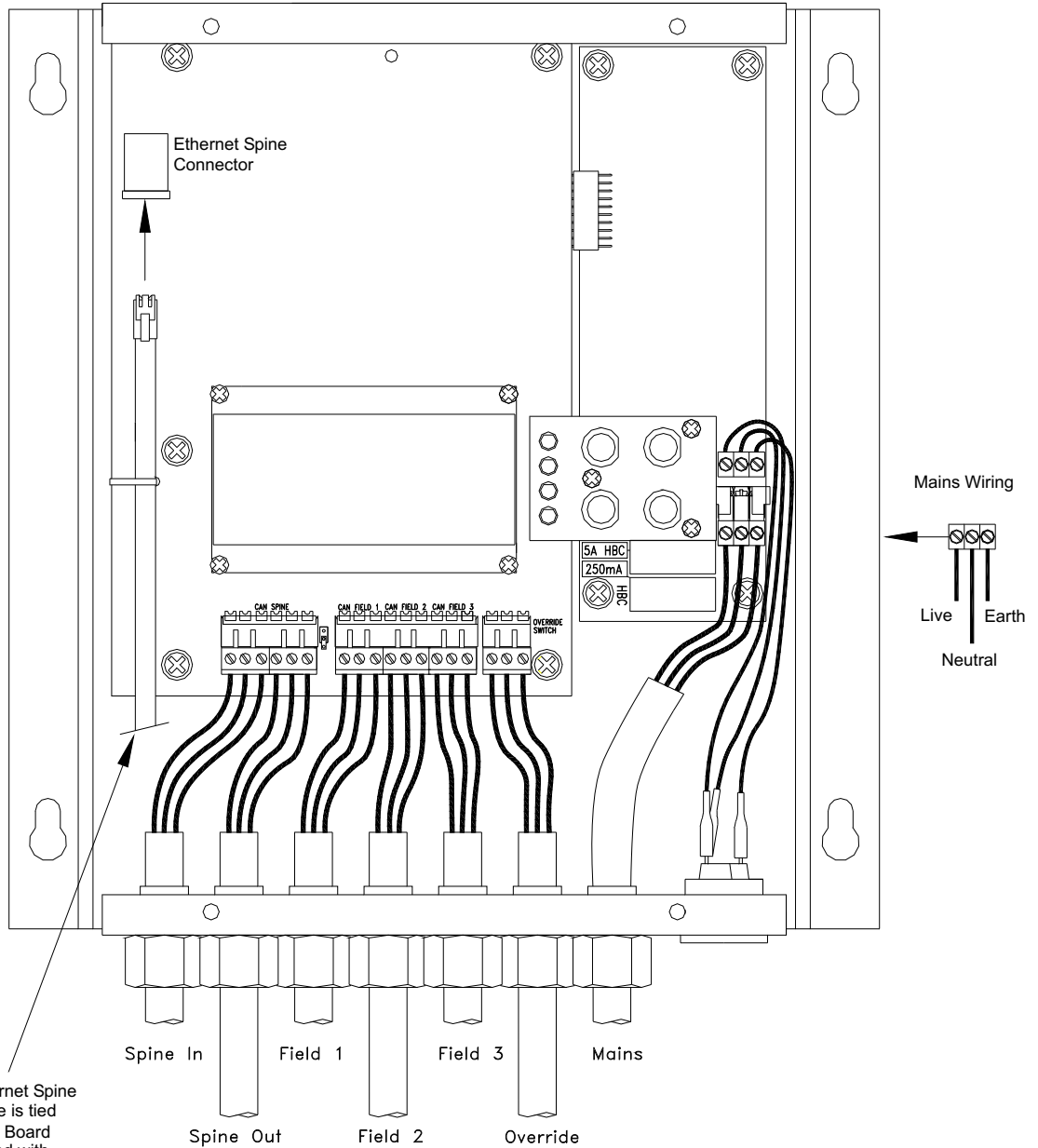


Fixing Size (4 Per Controller)
Maximum Size M8/No.14

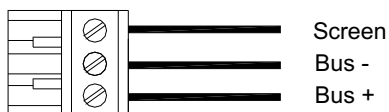


IEC Mains Output Socket
for Service use only

Wiring



Spine/Field Bus Connector Wiring



Override Switch Connector Wiring

