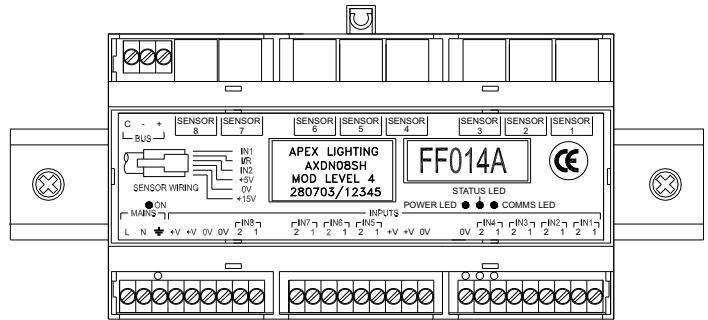
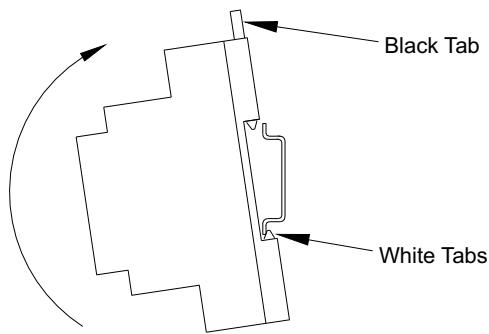
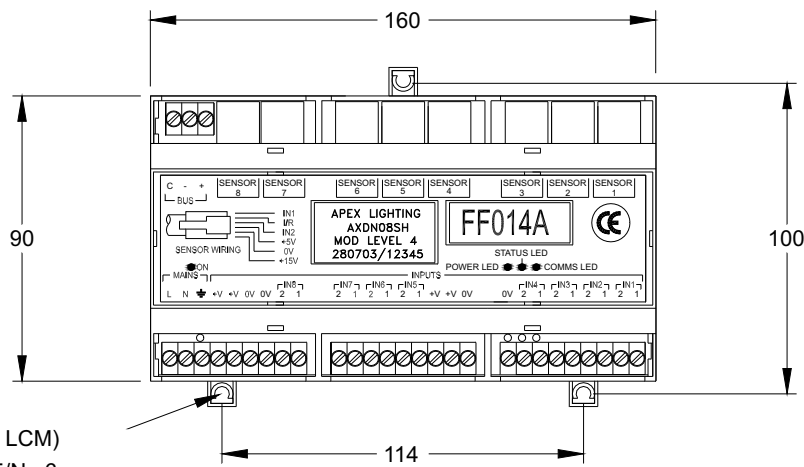


Mechanical Fixing



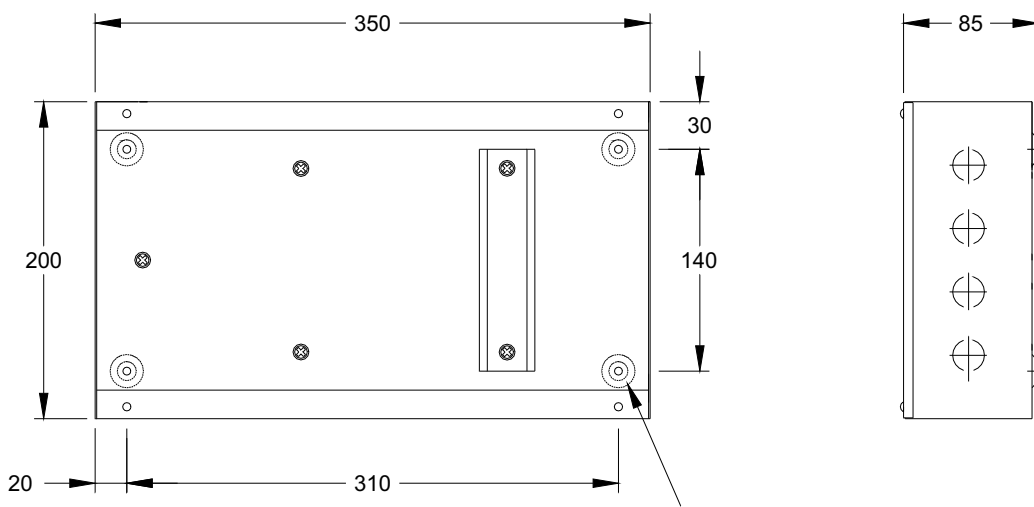
Din Rail Fixing



Fixing Size (3 Per LCM)  
Maximum M3.5/No.6

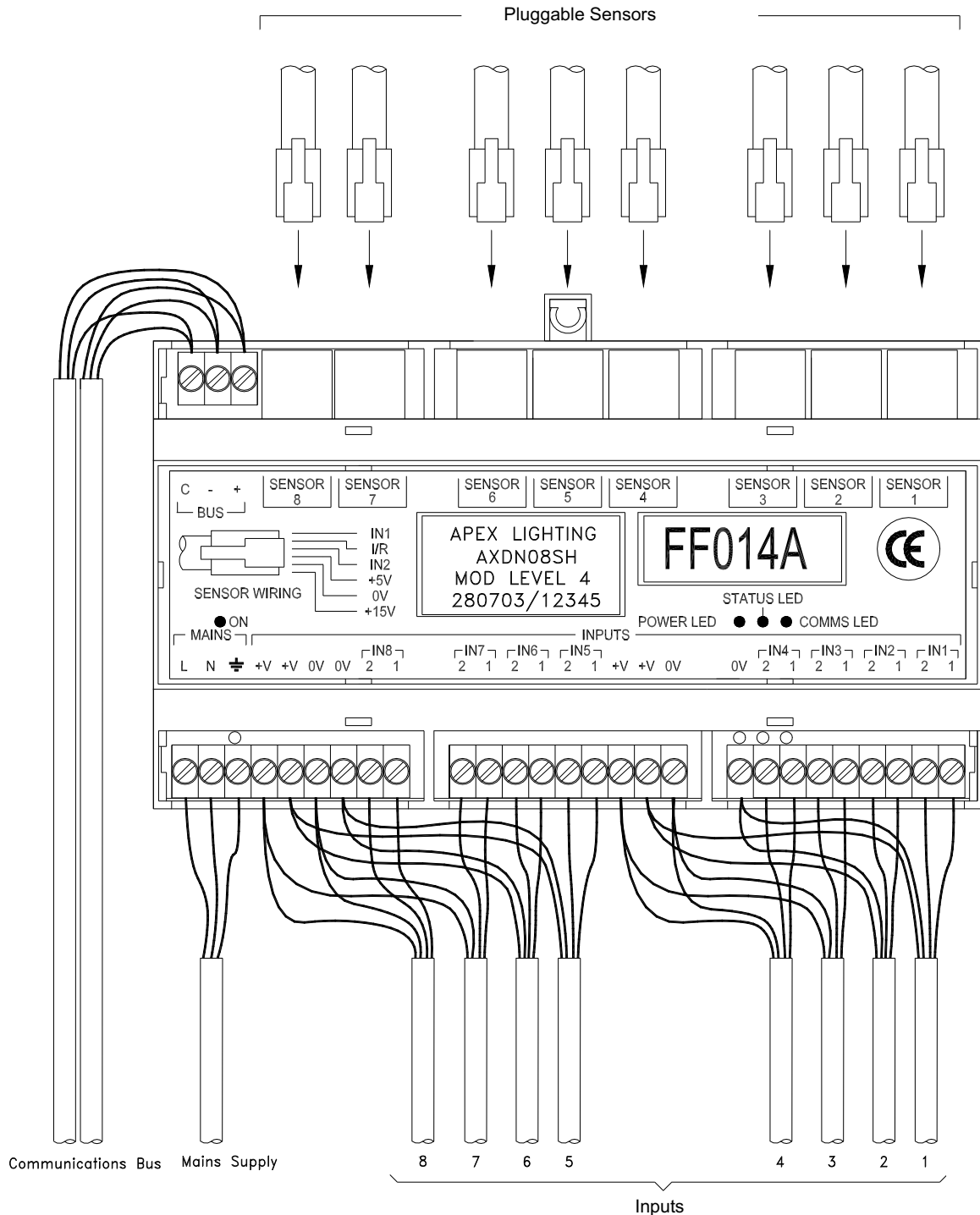
Panel Mounting

Adaptable Box



Fixing Size (4 Per Box)  
Maximum M4/No.10

Wiring



Wiring Order    +V    0V    2/Off/LS    1/On/PD

For Switches requiring 2 wires connect between 0V & Off

For Switches requiring 3 wires connect between 0V, On & Off

Note:

Wireable Inputs and Sensor Inputs are connected internally e.g. Wireable Input 1 is connected to Sensor Input 1. This means that only a combination up to 8 different numbered Inputs can be used either Wireable or Sensor.

An exception to this would be if two Input devices were required to control the same output e.g. two Presence Detectors in one room.