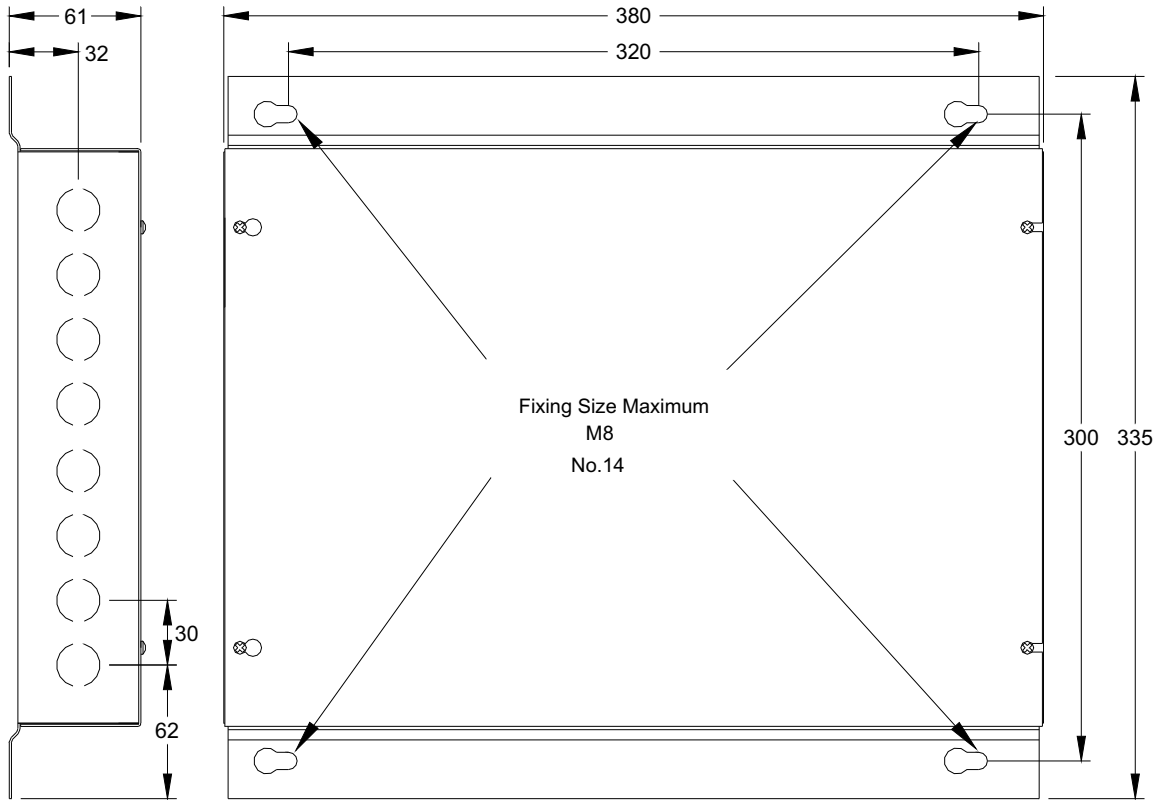
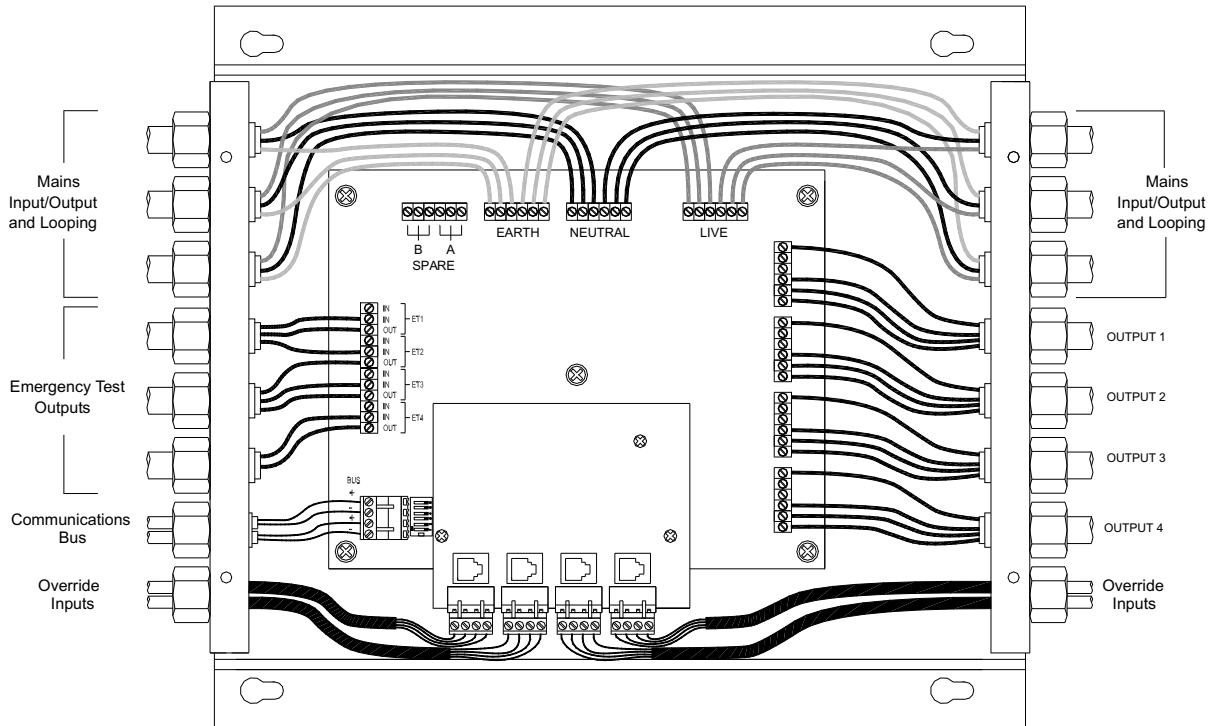


Mechanical Fixing

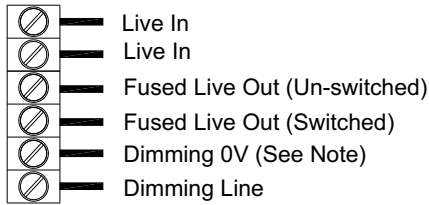


Preferred Cabling Positions for Mains, Input and Communications Wiring



Wiring

Output Connector Wiring



Note:

The dimming 0V is internally connected between each output connector.

Input Connector Wiring



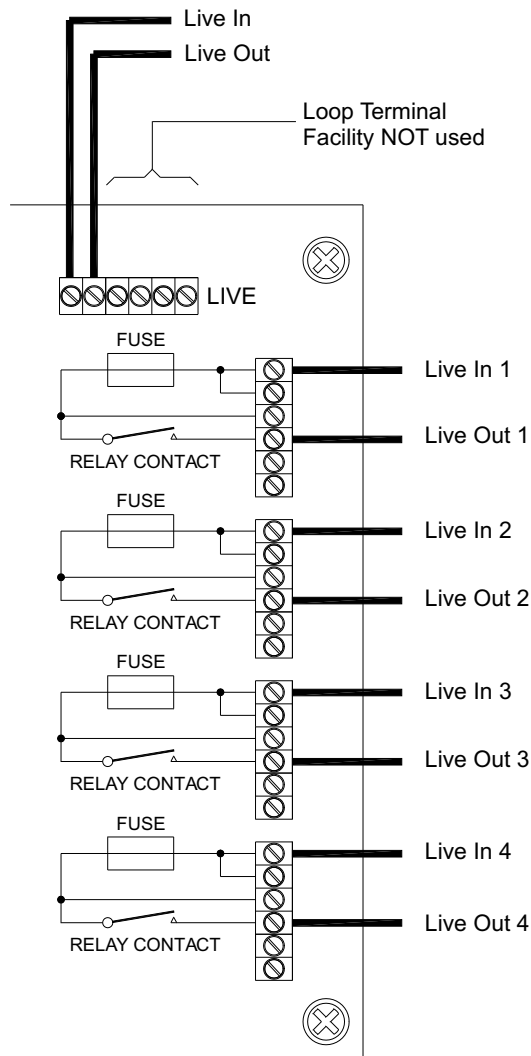
For Switches requiring 2 wires connect between 0V & Off
For Switches requiring 3 wires connect between 0V, On & Off

Four additional Inputs are available using Plug In RJ12 Connectors/Leads. Care should be taken not to damage the leads when replacing the enclosure lid.

Output Configurations

Example allows for 4 separate Live feeds giving a maximum load per Output of 8 Amps

(Note: Single Phase Only)



Example allows for a single Live feed giving a maximum load between all four Outputs of 16 Amps

(Note: Maximum Load on any 1 output is 8 Amps)

