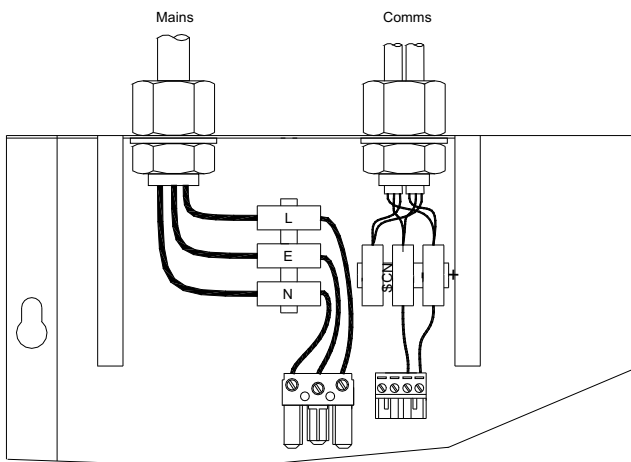
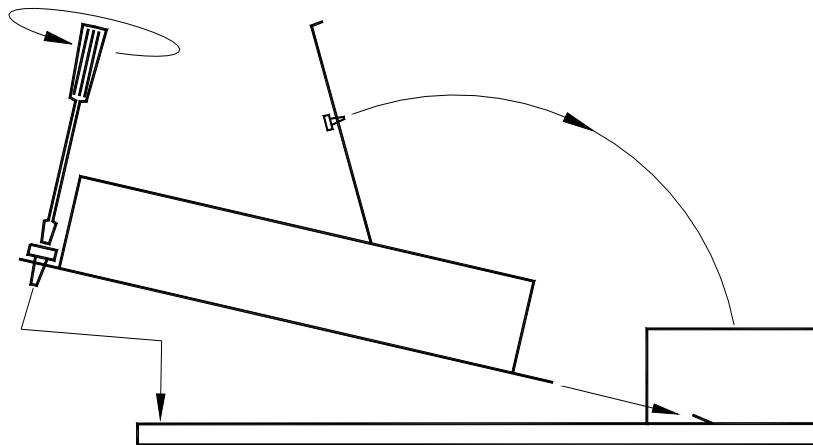
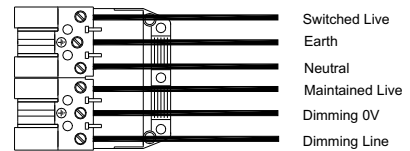


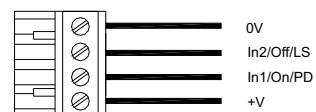
1/2 Turn Fixing



Output Connector Wiring
Order Code: AX-OPGST18
Alternative: Wieland 34.362.0211.1



Input Connector Wiring
Order Code: AX-IPBL4
Alternative: RS 189-6032



For Switches requiring 2 wires connect between 0V & Off
For Switches requiring 3 wires connect between 0V, On & Off

LCM Installation

1/2 Turn Fixing

