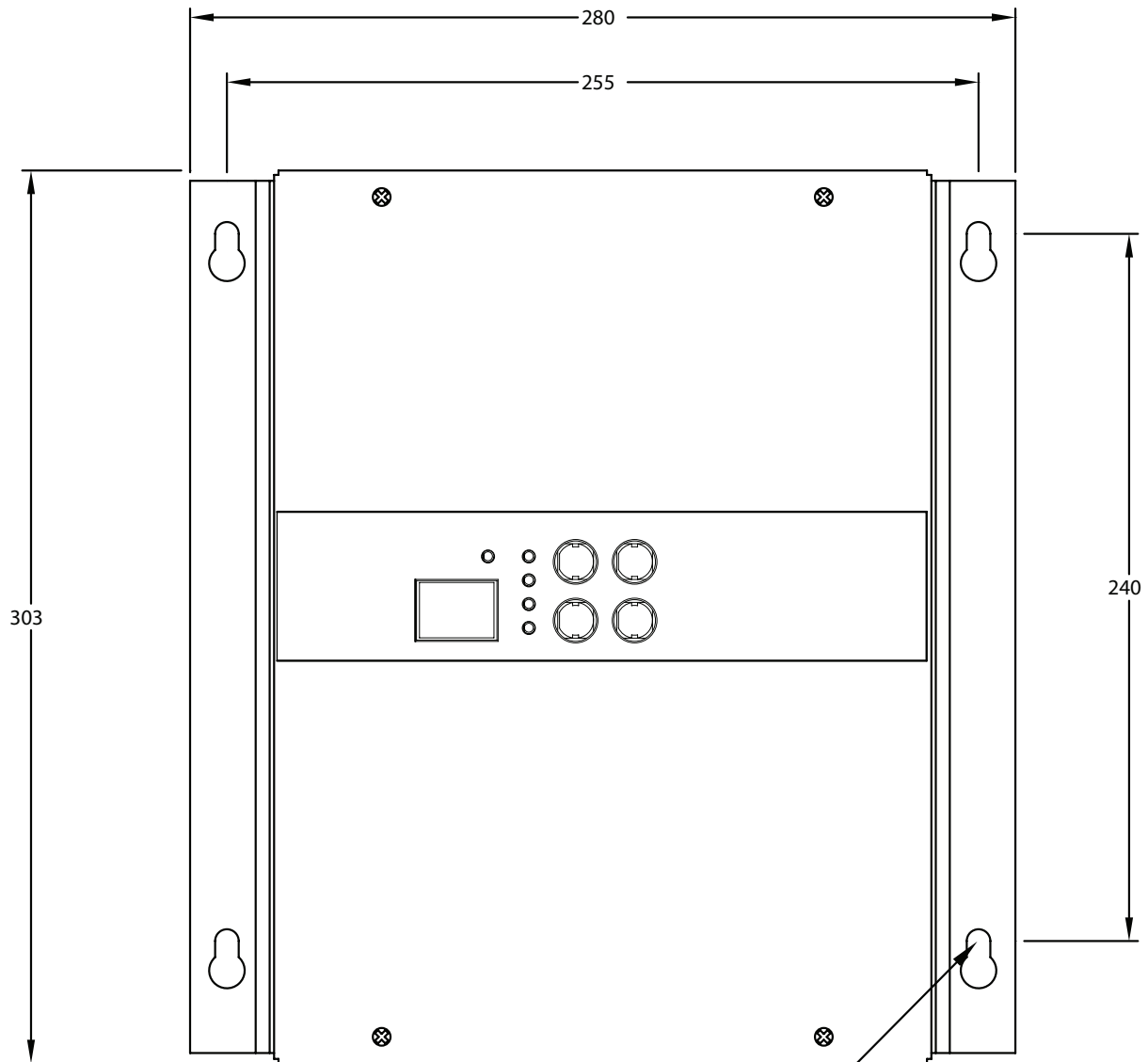
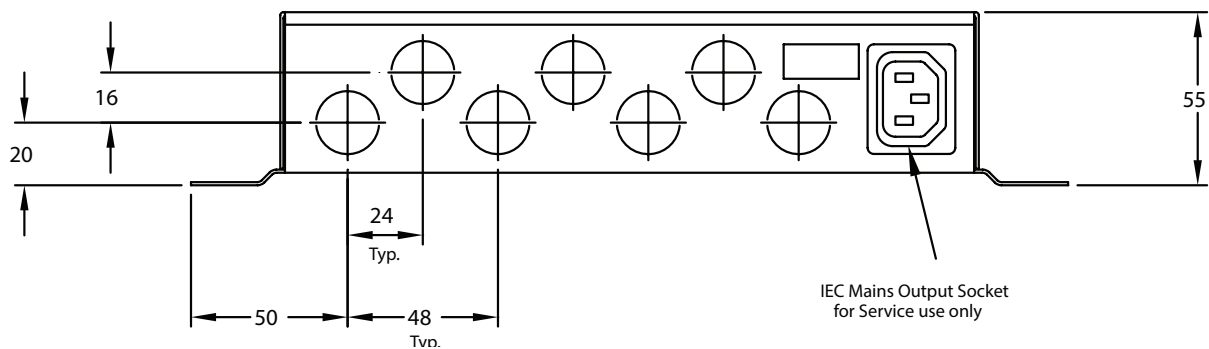


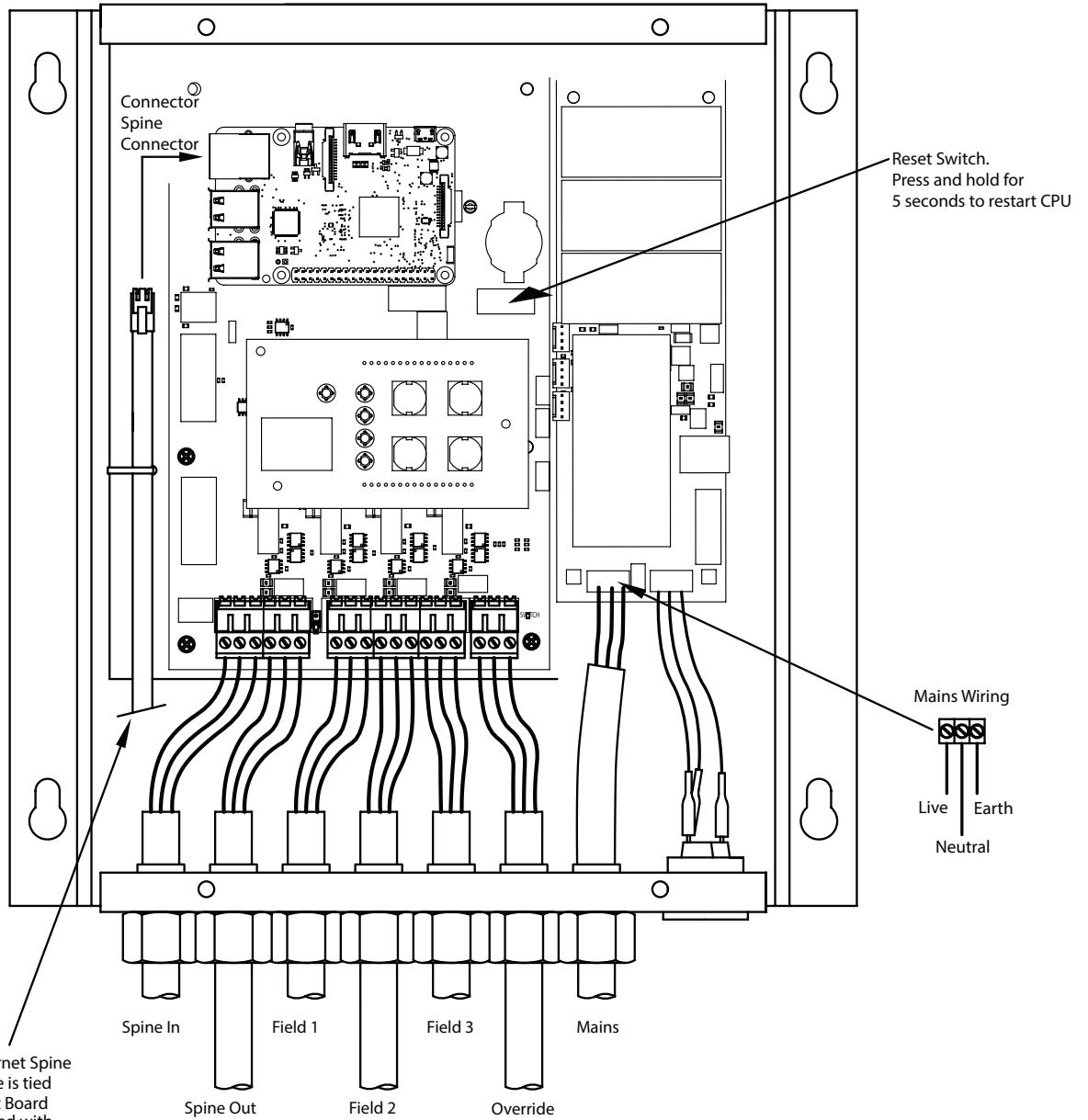
Mechanical Fixing



Fixing Size (4 Per Controller)
Maximum Size M8/No.14

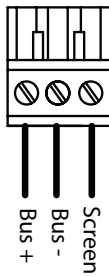


Wiring



When using an Ethernet Spine Ensure that the cable is tied to the Printed Circuit Board and that it is protected with a suitable grommet/gland where it passes through the housing

Spine/Field Bus Connector Wiring



Override Switch Connector Wiring

